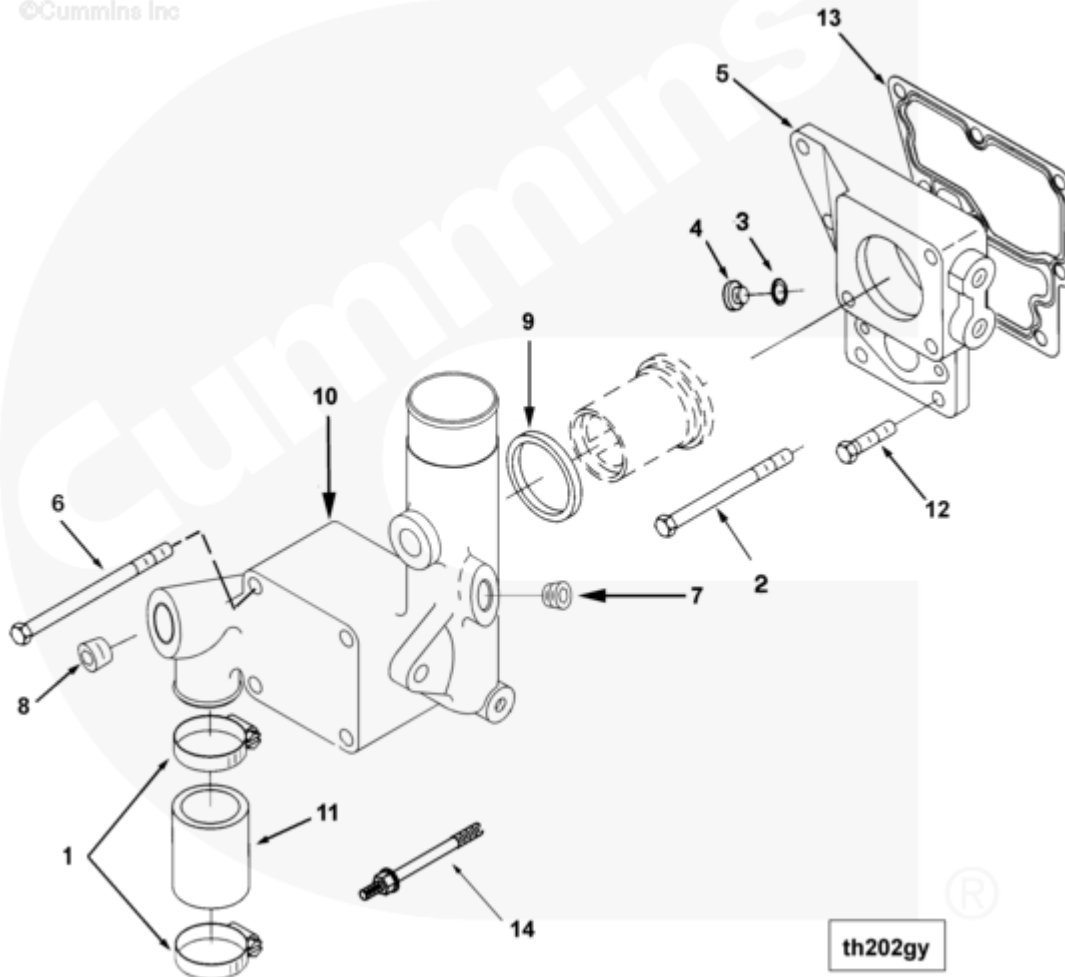




Parts Catalog - Option Detail

Electronic Parts Catalog - Option Detail				
Option	Group	Graphic	Film Card	Date
TH2086-07	08.07	th202gy	II	06-SEP-11
Engines	ISM CM570, ISM CM570/870, ISM CM875, ISM CM876, ISM CM876 E, ISM11 CM876 M103, ISM11 CM876 SN, M11 CELECT, M11 CELECT PLUS, M11 MECHANICAL, QSM11 CM570, QSM11 CM876			

©Cummins Inc



[SMALL](#) | [MEDIUM](#) | [LARGE](#)

Cart	Ref No	Part Number	Part Description	Required	Remarks
View My Cart					
		TH2086-07	Thermostat Housing		
					Thermostat Housing
					Water Outlet Connection
					Style: Cast On

					Water Outlet Outside
					Diameter: 57mm (2.24 in.)
					Water Outlet Direction:
					Vertical
					Thrm Spt Top Front Wtr Port
					Size: 3/8 NPTF
					Thrm Spt Bottom Front Wtr
					Port Size: 9/16-18 UNF
					Thrm Spt Rear Wtr Port Size:
					9/16 UNF
					Water Outlet Horizontal
					Distance: 204.6mm (8.06 in.)
					Water Outlet Vertical
					Distance: 508mm (20 in.)
					Wtr Out Horizontal Distance
					From FFOB: 17.5mm (0.69 in.)
					OEM Attachment Stud Location:
					Upper Left, Lower Left, Lower
					Right
					Alt Mtg Tab Vertical from
					Crank C/L: 362.96mm
					(14.29 in.)
					Thermostat Opening Temp: 82
					C (179.6 F)
					Thermostat Full Open Temp:
					94 C (201.2 F)
					Thermostat Vent Arrangement:
					Non-Vented
					Thermostat Quantity: 1

					Lube Cooler Mounting Hole
					Quantity: Four
<input type="checkbox"/>	1	3008690	Hose Clamp	2	1 3/4 - 2 1/4 in.
<input type="checkbox"/>	2	3017502	Hexagon Head Cap Screw	1	M10 x 1.50 x 120
<input type="checkbox"/>		4083195	Thermostat Housing Support	1	
<input type="checkbox"/>		3037536	Threaded Plug	1	9/16 - 18 UNF
<input type="checkbox"/>	3	3037537	O-Ring Seal	1	
	4	3040813	Threaded Plug	1	9/16 - 18 UNF
	5	4083188	Thermostat Housing Support	1	
<input type="checkbox"/>	6	3081347	Hexagon Head Cap Screw	1	M10 x 1.50 x 145
<input type="checkbox"/>		3406883	Housing , Thermostat Top Level Assembly		
<input type="checkbox"/>	7	3008468	Pipe Plug	2	1/2 NPT.
<input type="checkbox"/>	8	3008469	Pipe Plug	1	3/4 NPT
		3406882	Thermostat Housing	1	
<input type="checkbox"/>	9	186780	Thermostat Seal	1	
<input type="checkbox"/>	10	3161913	Thermostat Housing	1	
<input type="checkbox"/>	11	3820667	Plain Hose	1	
<input type="checkbox"/>	12	3093805	Hexagon Flange Head Cap Screw	3	M10 X 1.50 X 35.
<input type="checkbox"/>	13	3893692	Support Gasket	1	
<input type="checkbox"/>	14	3081350	Studded Hexagon Cap Screw	3	M10 x 1.50 x 172.